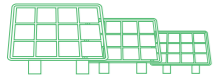


LQX 1/1 DC

- High reliability
 - With DC FUSE
 - With DC Surge Protection Device
 - With DC circuit breaker or DC load isolation switch.
- Strong adaptability
 - IP65 design, waterproof, anti dust and anti ultraviolet.
 - Strict test for high and low temperature, used widely.
 - The simple installation, the simplified system wiring, the convenient wiring. The box body is made of cold rolled steel and other metal materials.
- Flexible
 - configuration Used for single crystal silicon solar modules, polycrystalline silicon solar modules, thin film solar modules.



Solar combiner box



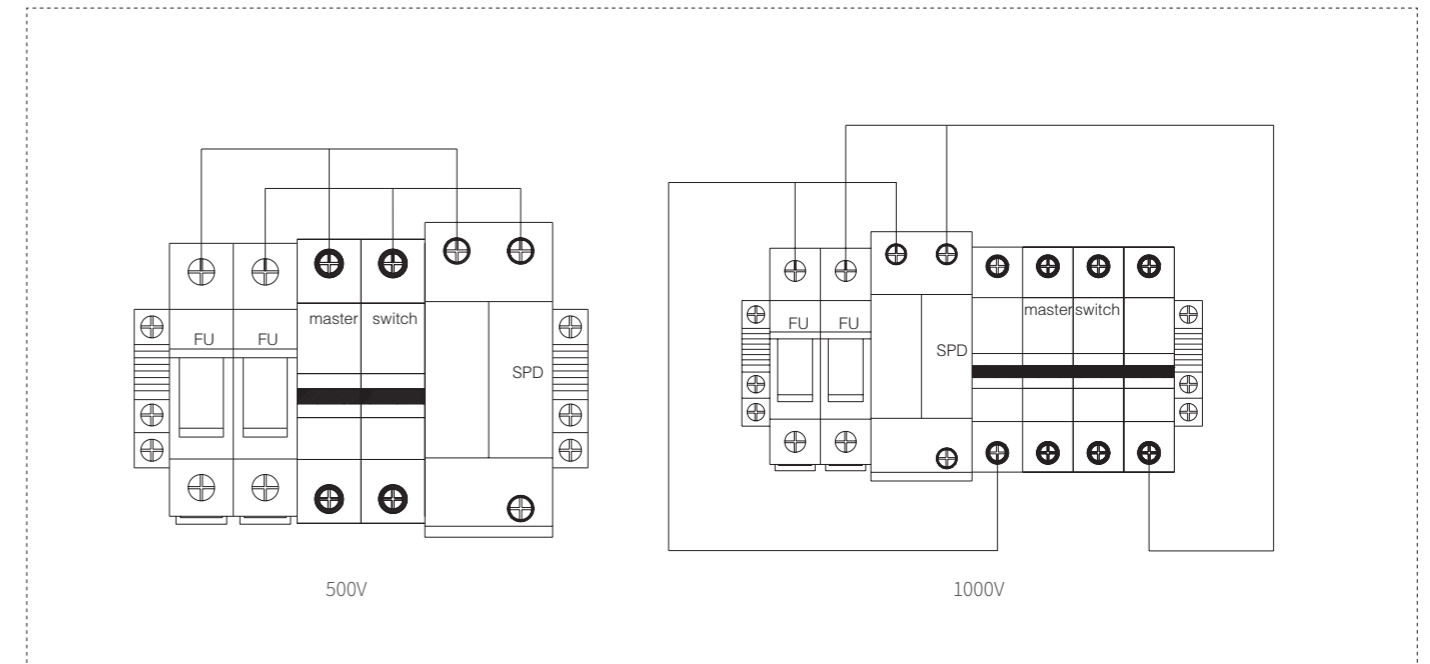
TECHNICAL PARAMETERS

Name	LQX 1/1 DC	
	Electric parameter	
System maximum dc voltage	500	1000
Maximum input current for each string	15A; 20A; 30A	
Maximum input strings	1	
Maximum output switch current	16A/20A/32A	
Number of inverter MPPT	1	
Number of Output strings	1	
	Lightning protection	
Category of test	II grade protection	
Nominal discharge current	20kA	
Maximum discharge current	40kA	
Voltage protection level	2.0kV	3.6kV
Maximum continuous operating voltage Uc	500V	1050V
Poles	2P	3P
Structure characteristic	Plug-push module	
	System	
Protection grade	IP65	
Output switch	DC isolation switch(standard)/DC circuit breaker(optional)	
SMC4 Waterproof Connectors	Standard	
PV dc fuse	Standard	
PV surge protector	Standard	
Monitoring module	Optional	
Preventing diode	Optional	
Box material	PVC	
Installation method	Wall mounting type	
Operating Temperature	-25° C~+55° C	
Elevation of temperature	2km	
Permissible relative humidity	0-95%, no condensation	

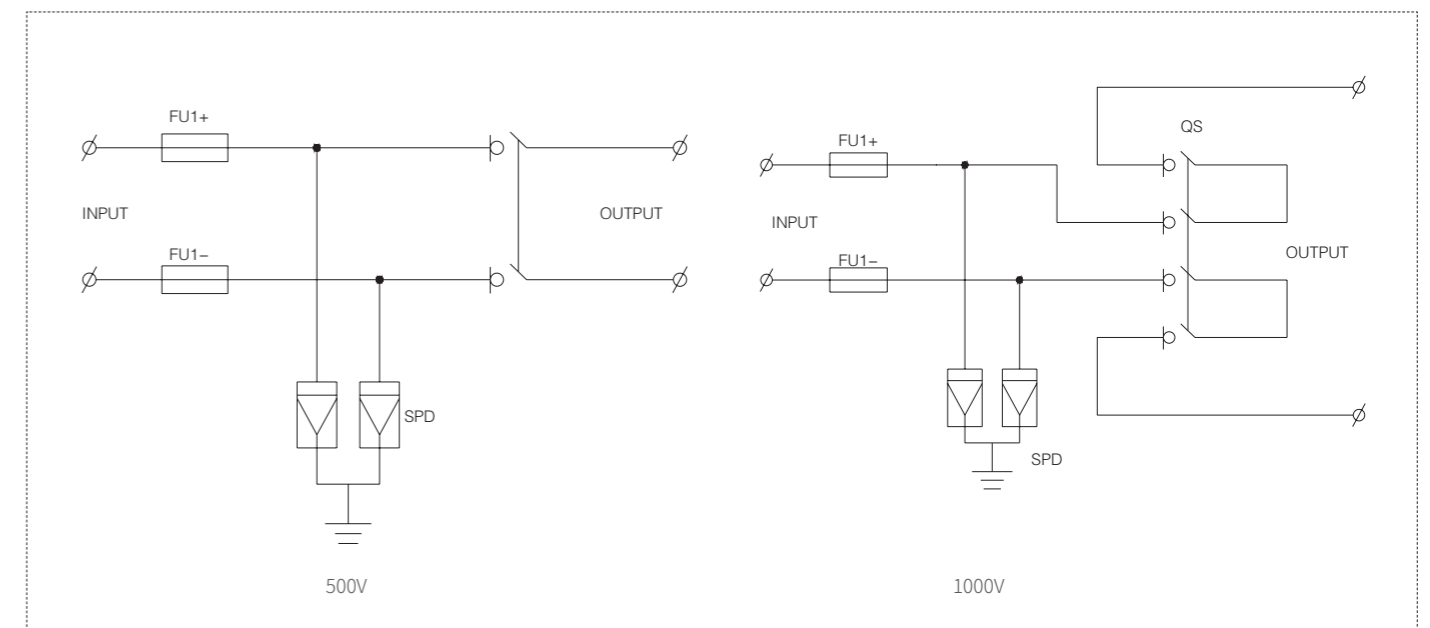
DESCRIPTION

LQX 1/1 DC combiner box is suitable for inverter (MAX input voltage DC500V/DC1000V, 1 PV input channel, 1 output channel, single MPPT inverter). Box body is made of PVC engineering materials, with test for fire retardant, temperature rise, anti impact, anti ultraviolet, and other testing. IP65 protection grade. Design and configuration strictly accordance with the "Technical specification for photovoltaic junction equipment" CGC/GF 037:2014. Provide users with a safe. It is installed between the solar panels and the solar inverter, designed and customized with the most reliable DC components to provide maximum protection.

SCHEMATIC DIAGRAM



DIMENSIONAL DRAWING(MM)



LQX 2/1 DC

- High reliability
 - With DC FUSE
 - With DC Surge Protection Device
 - With DC circuit breaker or DC load isolation switch.
- Strong adaptability
 - IP65 design, waterproof, anti dust and anti ultraviolet.
 - Strict test for high and low temperature, used widely.
 - The simple installation, the simplified system wiring, the convenient wiring. The box body is made of cold rolled steel and other metal materials.
- Flexible configuration
 - Used for single crystal silicon solar modules, polycrystalline silicon solar modules, thin film solar modules.

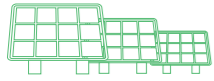


TECHNICAL PARAMETERS

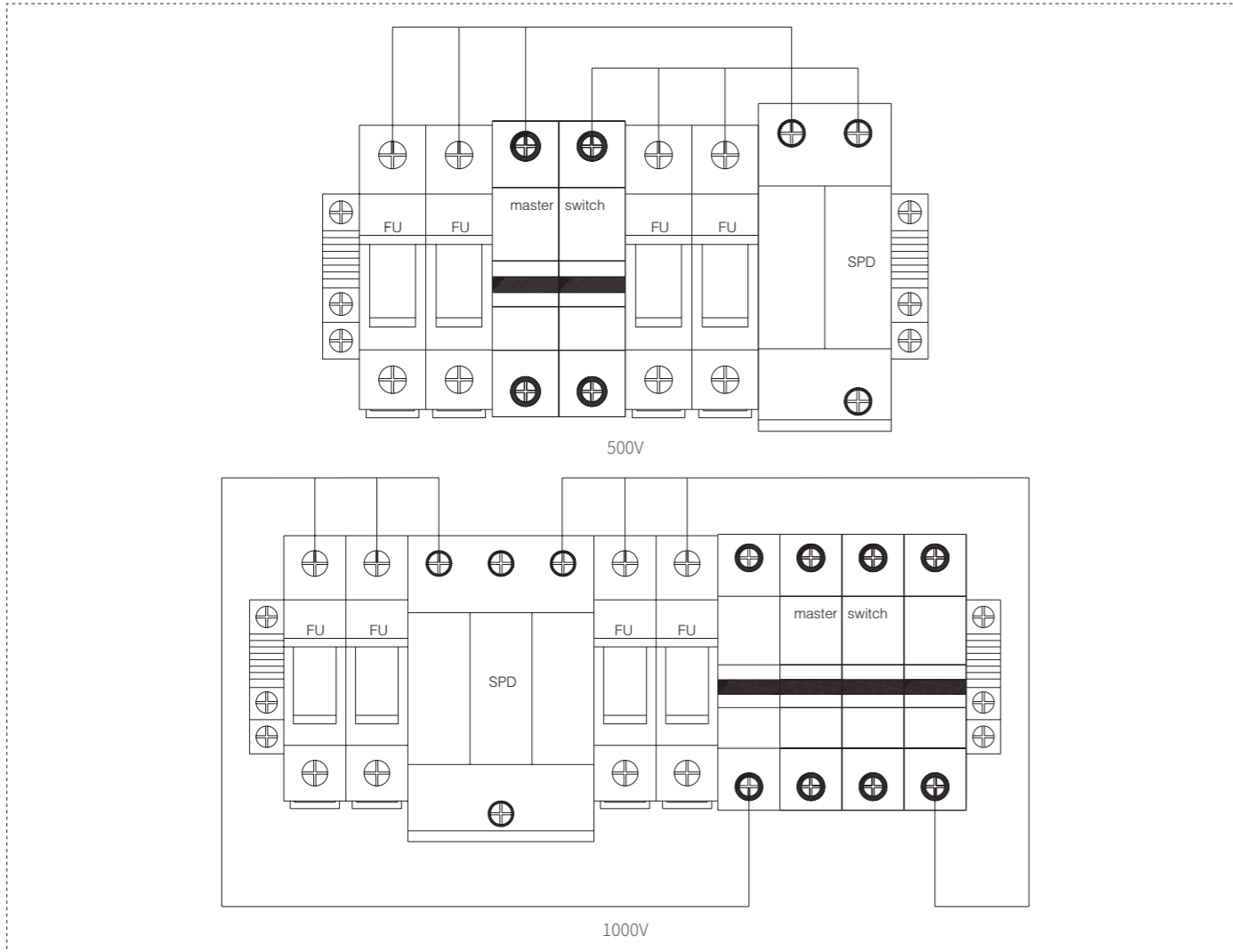
Name	LQX 2/1 DC	
	Electric parameter	
System maximum dc voltage	500	1000
Maximum input current for each string	15A; 20A; 30A	
Maximum input strings	2	
Maximum output switch current	32A/40A/50A/63A	
Number of inverter MPPT	1	
Number of Output strings	1	
	Lightning protection	
Category of test	II grade protection	
Nominal discharge current	20kA	
Maximum discharge current	40kA	
Voltage protection level	2.0kV	3.6kV
Maximum continuous operating voltage U _c	500V	1050V
Poles	2P	3P
Structure characteristic	Plug-push module	
	System	
Protection grade	IP65	
Output switch	DC isolation switch(standard)/DC circuit breaker(optional)	
SMC4 Waterproof Connectors	Standard	
PV dc fuse	Standard	
PV surge protector	Standard	
Monitoring module	Optional	
Preventing diode	Optional	
Box material	PVC	
Installation method	Wall mounting type	
Operating Temperature	-25°C ~+55°C	
Elevation of Temperature	2km	
Permissible relative humidity	0-95%, no condensation	

DESCRIPTION

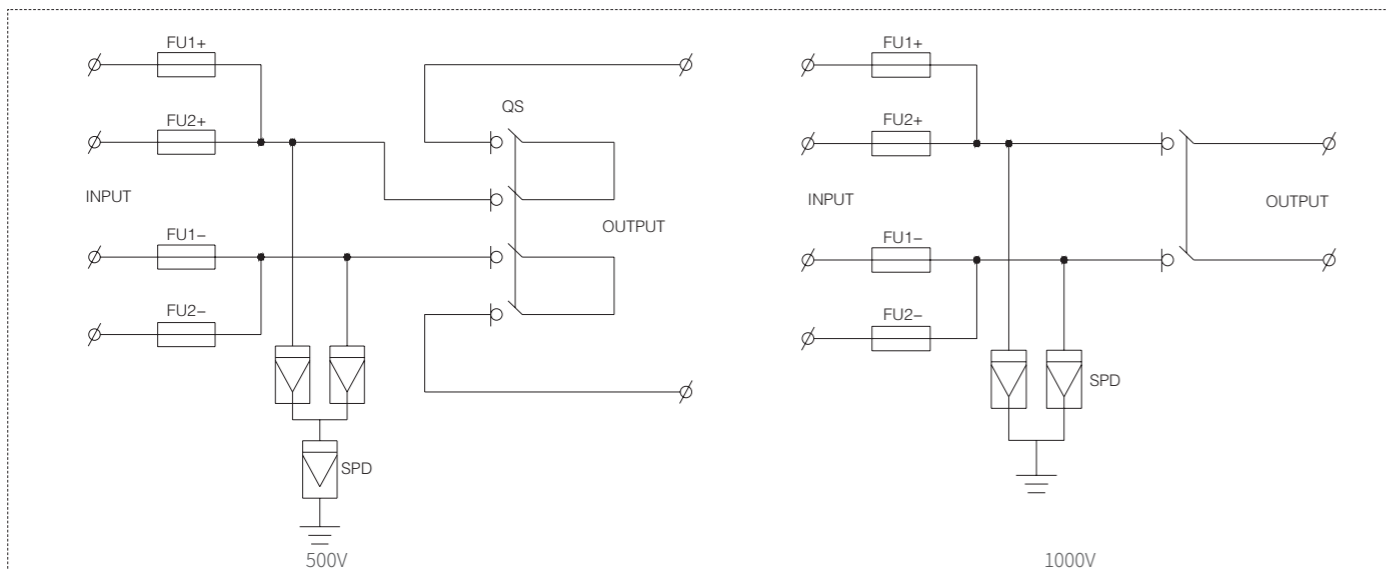
LQX 2/1 DC combiner box is suitable for inverter (MAX input voltage DC500V/DC1000V, 2 PV input channel, 1 output channel, single MPPT inverter). Box body is made of PVC engineering materials, with test for fire retardant, temperature rise, anti impact, anti ultraviolet, and other testing. IP65 protection grade. Design and configuration strictly accordance with the "Technical specification for photovoltaic junction equipment" CGC/GF 037:2014. It is installed between the solar panels and the solar inverter, designed and customized with the most reliable DC components to provide maximum protection.



SCHEMATIC DIAGRAM



DIMENSIONAL DRAWING(MM)

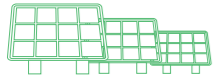


LQX 2/2 DC

- High reliability
 - With DC FUSE
 - With DC Surge Protection Device
 - With DC circuit breaker or DC load isolation switch.
- Strong adaptability
 - IP65 design, waterproof, anti dust and anti ultraviolet.
 - Strict test for high and low temperature, used widely.
 - The simple installation, the simplified system wiring, the convenient wiring. The box body is made of cold rolled steel and other metal materials.
- Flexible configuration
 - Used for single crystal silicon solar modules, polycrystalline silicon solar modules, thin film solar modules.



Solar combiner box



TECHNICAL PARAMETERS

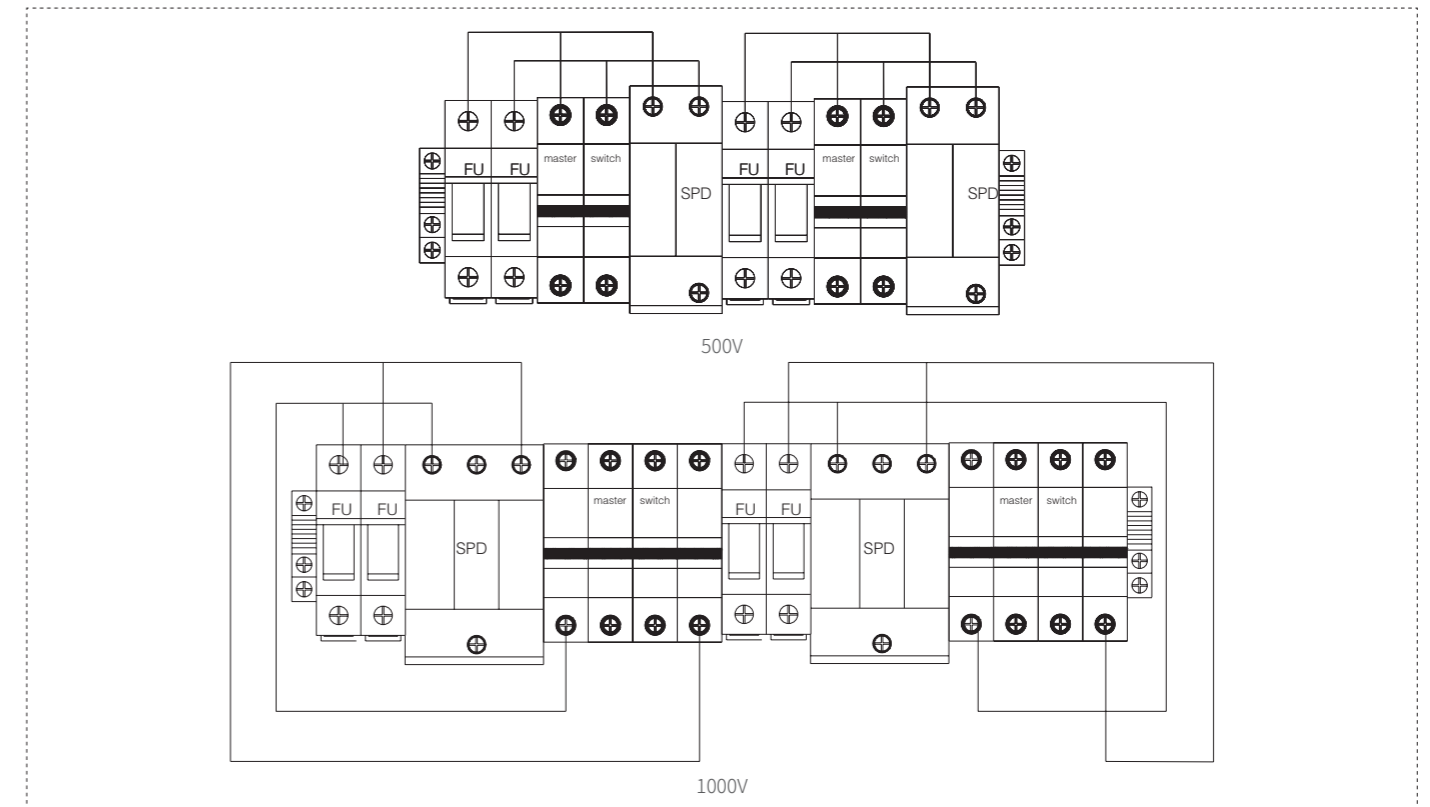
Name	LQX 2/2 DC	
Electric parameter		
System maximum dc voltage	500	1000
Maximum input current for each string	15A/20A/30A	
Maximum input strings	2	
Maximum output switch current	16A/20A/32A	
Number of inverter MPPT	2	
Number of Output strings	2	
Lightning protection		
Category of test	II grade protection	
Nominal discharge current	20kA	
Maximum discharge current	40kA	
Voltage protection level	2.0kV	3.6kV
Maximum continuous operating voltage Uc	500V	1050V
Poles	2P	3P
Structure characteristic	Plug-push module	
System		
Protection grade	IP65	
Output switch	DC isolation switch(standard)/DC circuit breaker(optional)	
SMC4 Waterproof Connectors	Standard	
PV dc fuse	Standard	
PV surge protector	Standard	
Monitoring module	Optional	
Preventing diode	Optional	
Box material	PVC	
Installation method	Wall mounting type	
Operating Temperature	-25°C ~+55°C	
Elevation of temperature	2km	
Permissible relative humidity	0-95%, no condensation	

DESCRIPTION

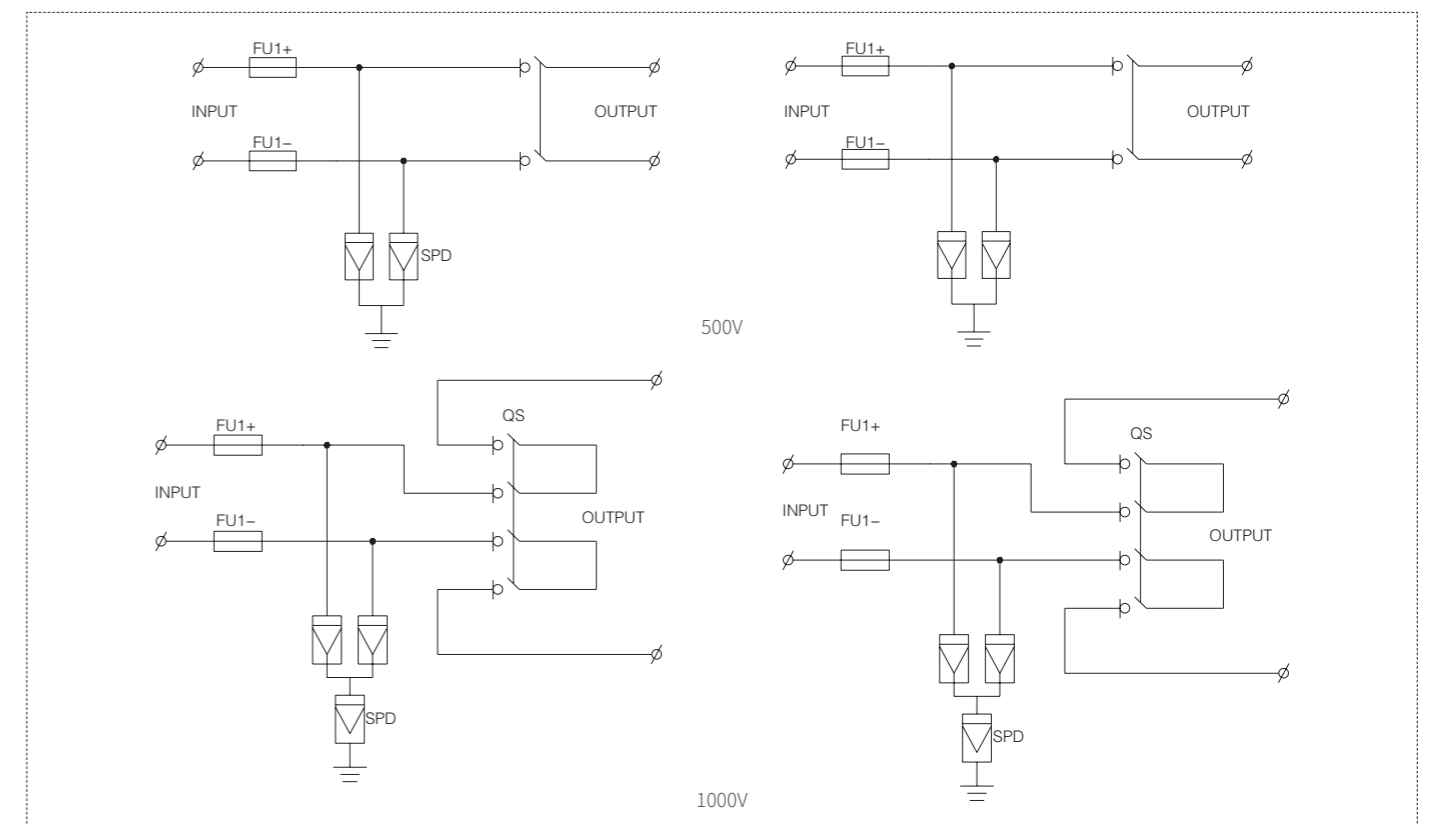
LQX 2/2 DC combiner box is suitable for inverter (MAX input voltage DC500V/DC1000V, 2 PV input channel, 2 output channel, single MPPT inverter). Box body is made of PVC engineering materials, with test for fire retardant, temperature rise, anti impact, anti ultraviolet, and other testing. IP65 protection grade.

Design and configuration strictly accordance with the "Technical specification for photovoltaic junction equipment" CGC/GF 037:2014. Provide users with a safe. It is installed between the solar panels and the solar inverter, designed and customized with the most reliable DC components to provide maximum protection.

SCHEMATIC DIAGRAM



DIM ENSIONAL DRAWING(MM)



LQX 4/1 DC

- High reliability
 - With DC FUSE
 - With DC Surge Protection Device
 - With DC circuit breaker or DC load isolation switch.
- Strong adaptability
 - IP65 design, waterproof, anti dust and anti ultraviolet.
 - Strict test for high and low temperature, used widely.
 - The simple installation, the simplified system wiring, the convenient wiring. The box body is made of cold rolled steel and other metal materials.
- Flexible configuration
 - Used for single crystal silicon solar modules, polycrystalline silicon solar modules, thin film solar modules.

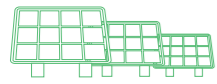


TECHNICAL PARAMETERS

Name	LQX 4/1 DC	
	Electric parameter	
System maximum dc voltage	500	1000
Maximum input current for each string	15A/20A	
Maximum input strings	4	
Maximum output switch current	63A/80A/100A	
Number of inverter MPPT	1	
Number of Output strings	1	
	Lightning protection	
Category of test	II grade protection	
Nominal discharge current	20kA	
Maximum discharge current	40kA	
Voltage protection level	2.0kV	3.6kV
Maximum continuous operating voltage U _c	500V	1050V
Poles	2P	3P
Structure characteristic	Plug-push module	
	System	
Protection grade	IP65	
Output switch	DC isolation switch(standard)/DC circuit breaker(optional)	
SMC4 Waterproof Connectors	Standard	
PV dc fuse	Standard	
PV surge protector	Standard	
Monitoring module	Optional	
Preventing diode	Optional	
Box material	PVC	
Installation method	Wall mounting type	
Operating Temperature	-25°C ~+55°C	
Elevation of temperature	2km	
Permissible relative humidity	0-95%, no condensation	

DESCRIPTION

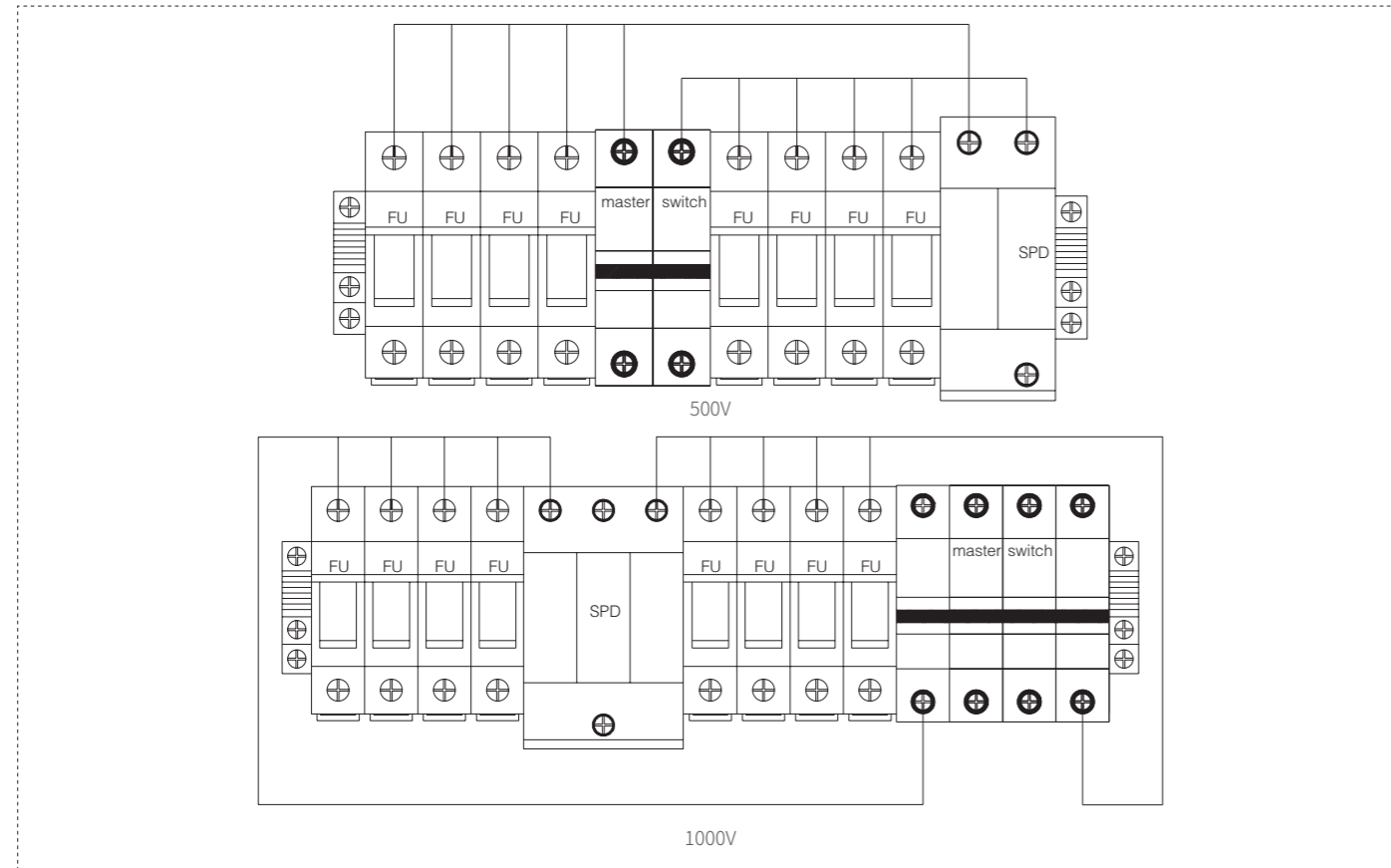
LQX 4/1 DC combiner box is suitable for inverter (MAX input voltage DC500V/DC1000V, 4 PV input channel, 1 output channel, single MPPT inverter). Box body is made of PVC engineering materials, with test for fire retardant, temperature rise, anti impact, anti ultraviolet, and other testing. IP65 protection grade. Design and configuration strictly accordance with the "Technical specification for photovoltaic junction equipment" CGC/GF 037:2014. Provide users with a safe. It is installed between the solar panels and the solar inverter, designed and customized with the most reliable DC components to provide maximum protection.



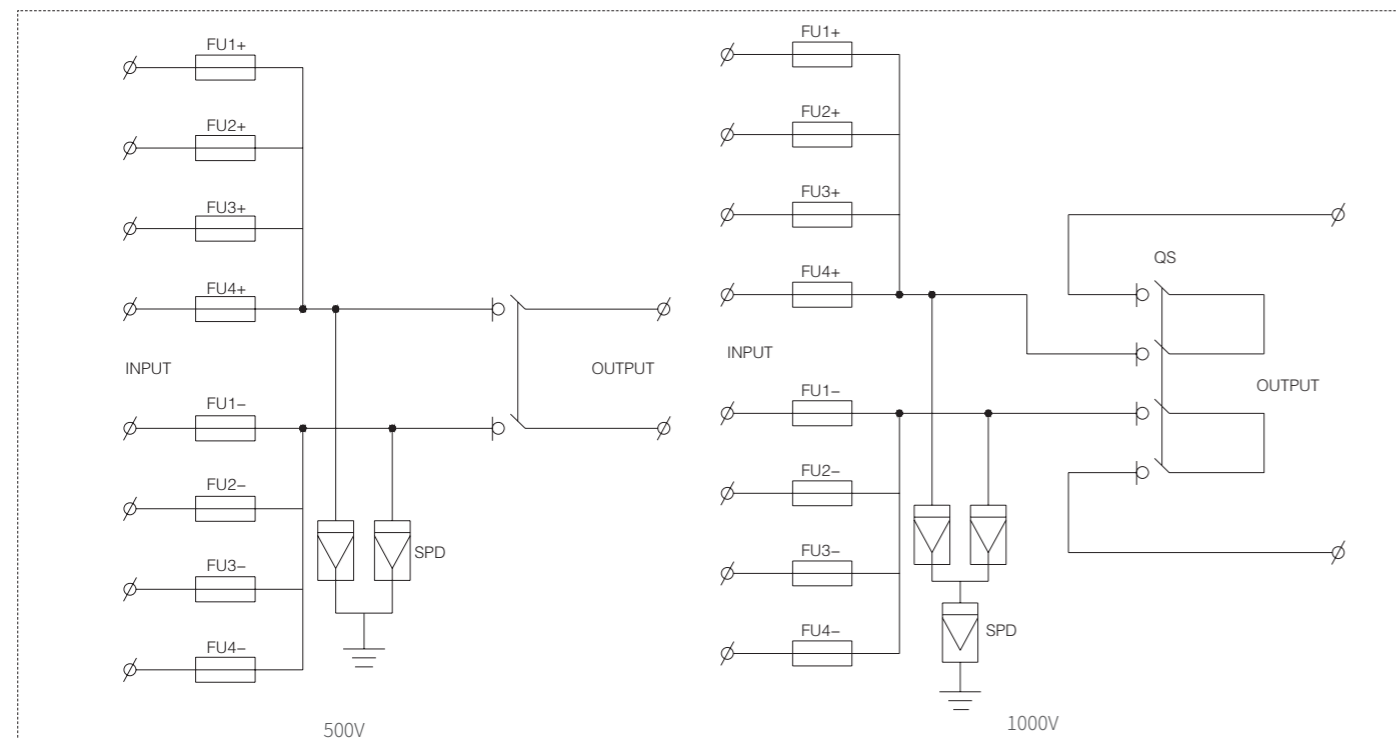
Durable quality

Bright and uniform

SCHEMATIC DIAGRAM



DIMENSIONAL DRAWING(MM)

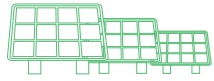


LQX 4/2 DC

- High reliability
 - With DC FUSE
 - With DC Surge Protection Device
 - With DC circuit breaker or DC load isolation switch.
- Strong adaptability
 - IP65 design, waterproof, anti dust and anti ultraviolet.
 - Strict test for high and low temperature, used widely.
 - The simple installation, the simplified system wiring, the convenient wiring. The box body is made of cold rolled steel and other metal materials.
- Flexible configuration
 - Used for single crystal silicon solar modules, polycrystalline silicon solar modules, thin film solar modules.



Solar combiner box



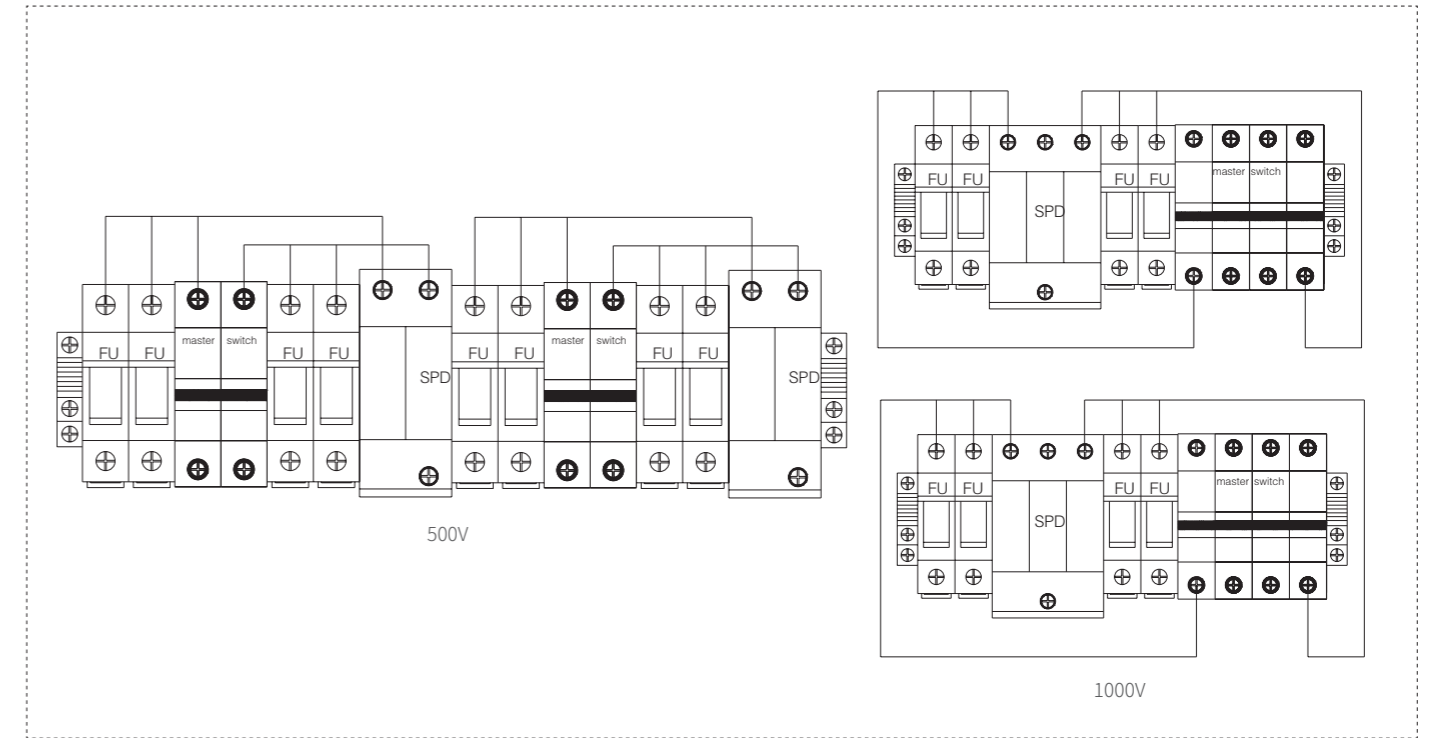
TECHNICAL PARAMETERS

Name	LQX 4/2 DC	
	Electric parameter	
System maximum dc voltage	500	1000
Maximum input current for each string	15A/20A/30A	
Maximum input strings	4	
Maximum output switch current	20A/32A	
Number of inverter MPPT	2	
Number of Output strings	2	
	Lightning protection	
Category of test	II grade protection	
Nominal discharge current	20kA	
Maximum discharge current	40kA	
Voltage protection level	2.0kV	3.6kV
Maximum continuous operating voltage U _c	500V	1050V
Poles	2P	3P
Structure characteristic	Plug-push module	
	System	
Protection grade	IP65	
Output switch	DC isolation switch(standard)/DC circuit breaker(optional)	
SMC4 Waterproof Connectors	Standard	
PV dc fuse	Standard	
PV surge protector	Standard	
Monitoring module	Optional	
Preventing diode	Optional	
Box material	PVC	
Installation method	Wall mounting type	
Operating Temperature	-25°C ~+55°C	
Elevation of temperature	2km	
Permissible relative humidity	0-95%,no ondensation	

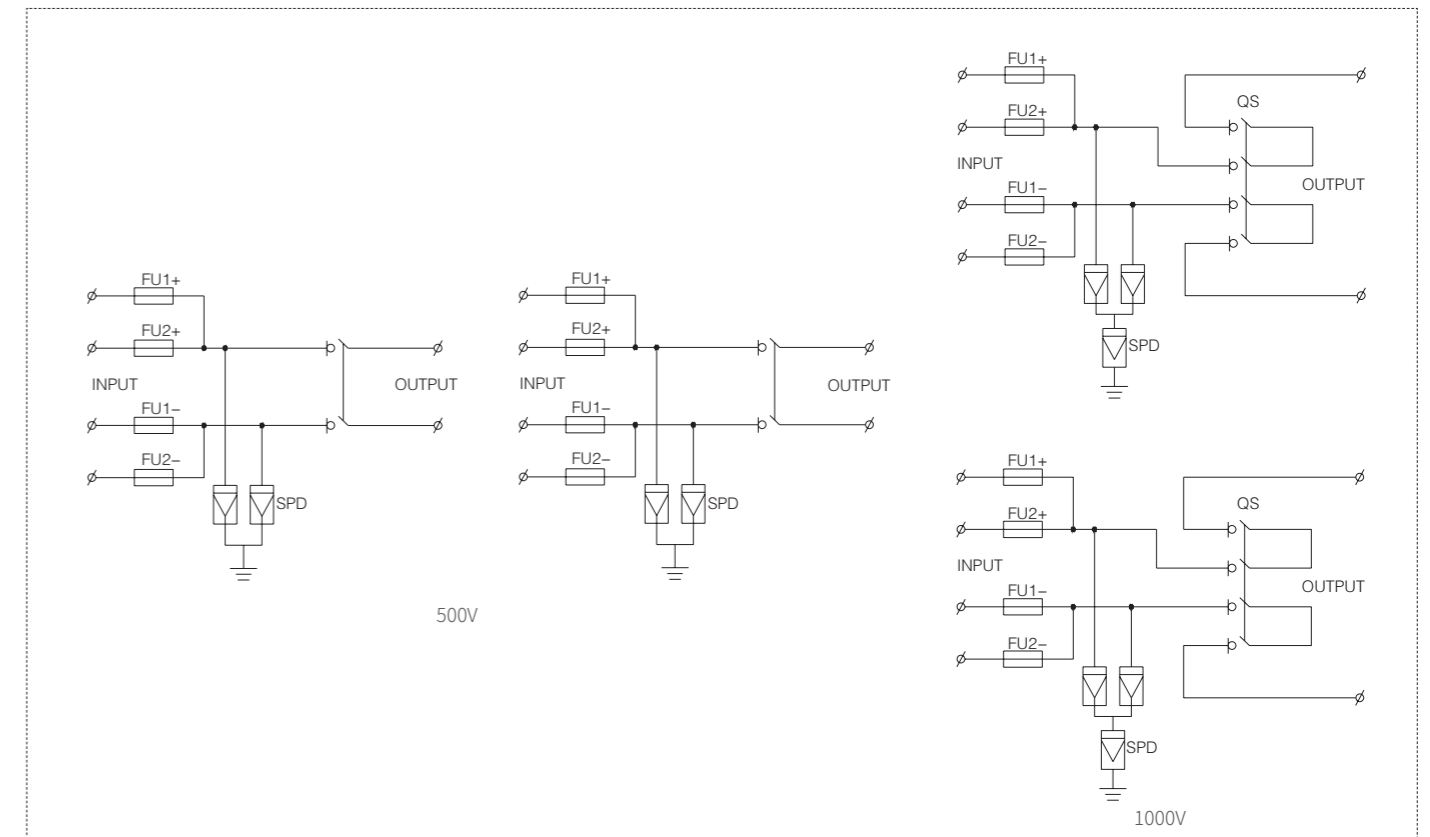
DESCRIPTION

LQX 4/2 DC combiner box is suitable for inverter (MAX input voltage DC500V/DC1000V, 4 PV input channel, 2 output channel, double MPPT inverter). Box body is made of PVC engineering materials, with test for fire retardant, temperature rise, anti impact, anti ultraviolet, and other testing. IP65 protection grade. Design and configuration strictly accordance with the "Technical specification for photovoltaic junction equipment" CGC/GF 037:2014. Provide users with a safe. It is installed between the solar panels and the solar inverter, designed and customized with the most reliable DC components to provide maximum protection.

SCHEMATIC DIAGRAM



DIM ENSIONAL DRAWING(MM)



LQX F4/1 DC

- High reliability
 - With DC FUSE
 - With DC Surge Protection Device
 - With DC circuit breaker or DC load isolation switch.
- Strong adaptability
 - IP65 design, waterproof, anti dust and anti ultraviolet.
 - Strict test for high and low temperature, used widely.
 - The simple installation, the simplified system wiring, the convenient wiring . The box body is made of cold rolled steel and other metal materials.
- Flexible configuration
 - Used for single crystal silicon solar modules, polycrystalline silicon solar modules, thin film solar modules.
 - Current rating of the photovoltaic fuse, circuit breaker, load isolation switch is modified.

Solar combiner box



TECHNICAL PARAMETERS

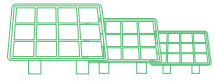
Name	LQX F4/1 DC	
	Electric parameter	
System maximum dc voltage	1000	1500
Maximum input current for each string	15A	
Maximum input strings	4	
Maximum output switch current	63A	
Number of inverter MPPT	N	
Number of Output strings	1	
	Lightning protection	
Category of test	II grade protection	
Nominal discharge current	20kA	
Maximum discharge current	40kA	
Voltage protection level	3.6kV	5.3kV
Maximum continuous operating voltage U _c	1050V	1500V
Poles	3P	
Structure characteristic	Plug-push module	
	System	
Protection grade	IP66	
Output switch	DC isolation switch(standard)/DC circuit breaker(optional)	
SMC4 Waterproof Connectors	Standard	
PV dc fuse	Standard	
PV surge protector	Standard	
Monitoring module	Optional	
Preventing diode	Optional	
Box material	Metal	
Installation method	Wall mounting type	
Operating Temperature	-25°C ~+55°C	
Elevation of temperature	2km	
Permissible relative humidity	0-95%,no condensation	

DESCRIPTION

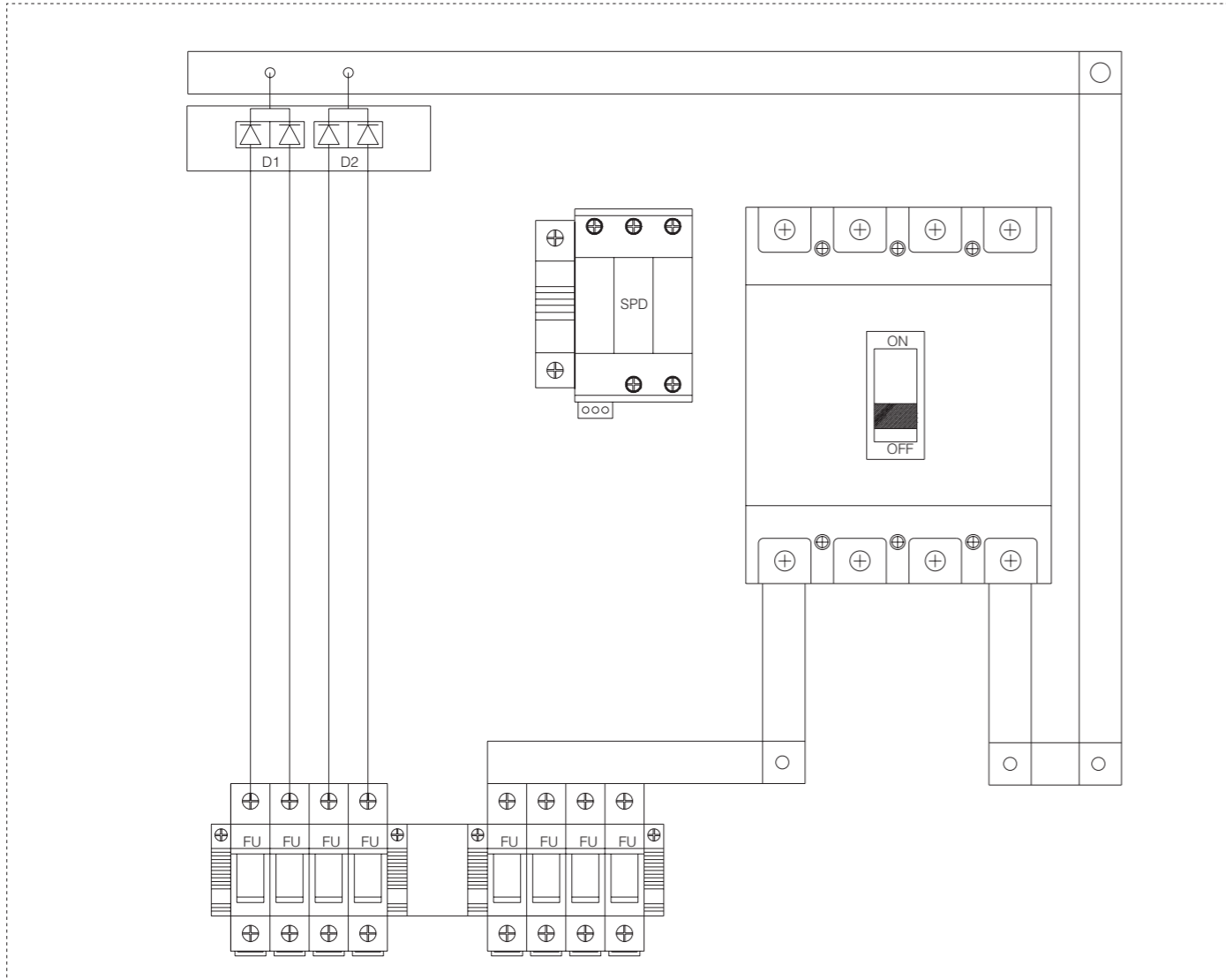
LQX F4/1 DC PV combiner box bus synthetic DC input of 4 PV components to 1 output. Each channel is with a fuse. Output side is equipped with lightning protection and circuit breaker. It greatly simplify input wiring of DC power distribution cabinet and inverter. Realize lightning protection, short circuit protection and grounding protection. PV combiner box divided into two types: intelligent box and non-intelligent box. Intelligent PV combiner box is equipped with monitoring unit, then detect input current of each string, detect inside temperature, detect lightning protection status, detect circuit breaker status and summarize output voltage and so on.

Design and configuration strictly accordance with the "Technical specification for photovoltaic junction equipment " CGC/GF 037:2014. Provide users with a safe, brief, beautiful and applicable photovoltaic system products.

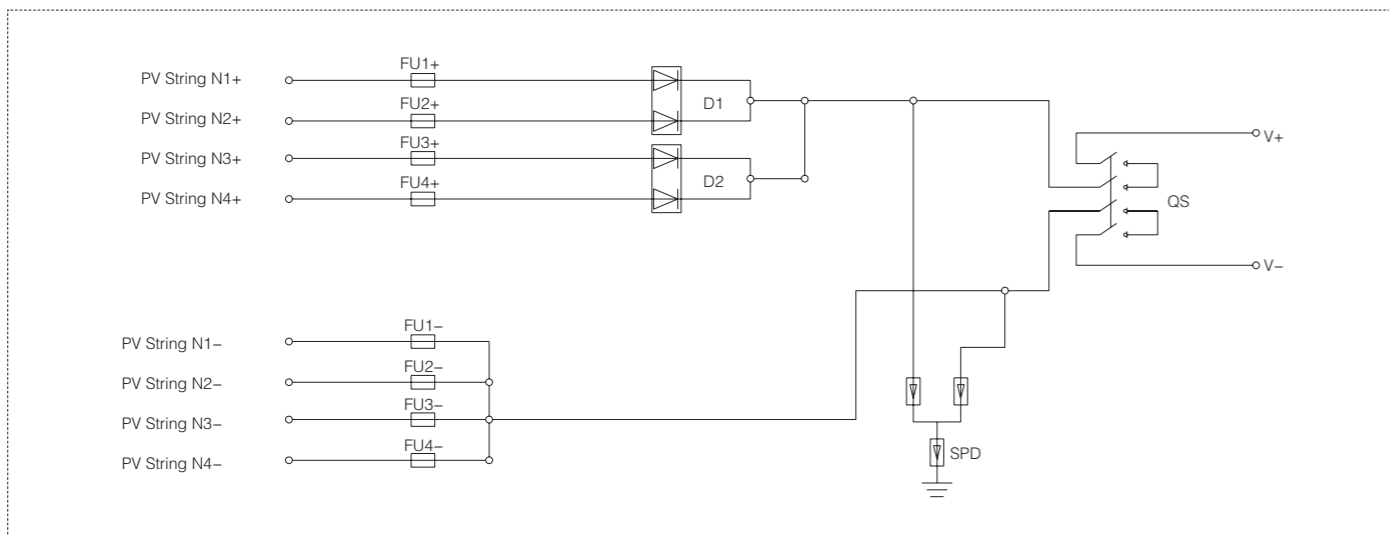
The product adopts outdoor wall mounted type, which adapt to the harsh environment. In addition to the core components, the other can be customized by user requirements.



SCHEMATIC DIAGRAM



DIM ENSIONAL DRAWING(MM)

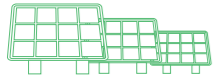


LQX F6/1 DC

- High reliability
 - With DC FUSE
 - With DC Surge Protection Device
 - With DC circuit breaker or DC load isolation switch.
- Strong adaptability
 - IP65 design, waterproof, anti dust and anti ultraviolet.
 - Strict test for high and low temperature, used widely.
 - The simple installation, the simplified system wiring, the convenient wiring . The box body is made of cold rolled steel and other metal materials.
- Flexible configuration
 - Used for single crystal silicon solar modules, polycrystalline silicon solar modules, thin film solar modules.
 - Current rating of the photovoltaic fuse, circuit breaker, load isolation switch is modified.



Solar combiner box



TECHNICAL PARAMETERS

Name	LQX F6/1 DC	
Electric parameter		
System maximum dc voltage	1000	1500
Maximum input current for each string	15A	
Maximum input strings	6	
Maximum output switch current	100A	
Number of inverter MPPT	N	
Number of Output strings	1	
Lightning protection		
Category of test	II grade protection	
Nominal discharge current	20kA	
Maximum discharge current	40kA	
Voltage protection level	3.6kV	5.3kV
Maximum continuous operating voltage U _c	1050V	1500V
Poles	3P	
Structure characteristic	Plug-push module	
System		
Protection grade	IP66	
Output switch	DC isolation switch(standard)/DC circuit breaker(optional)	
SMC4 Waterproof Connectors	Standard	
PV dc fuse	Standard	
PV surge protector	Standard	
Monitoring module	Optional	
Preventing diode	Optional	
Box material	Metal	
Installation method	Wall mounting type	
Operating Temperature	-25°C ~+55°C	
Elevation of temperature	2km	
Permissible relative humidity	0-95%,no condensation	

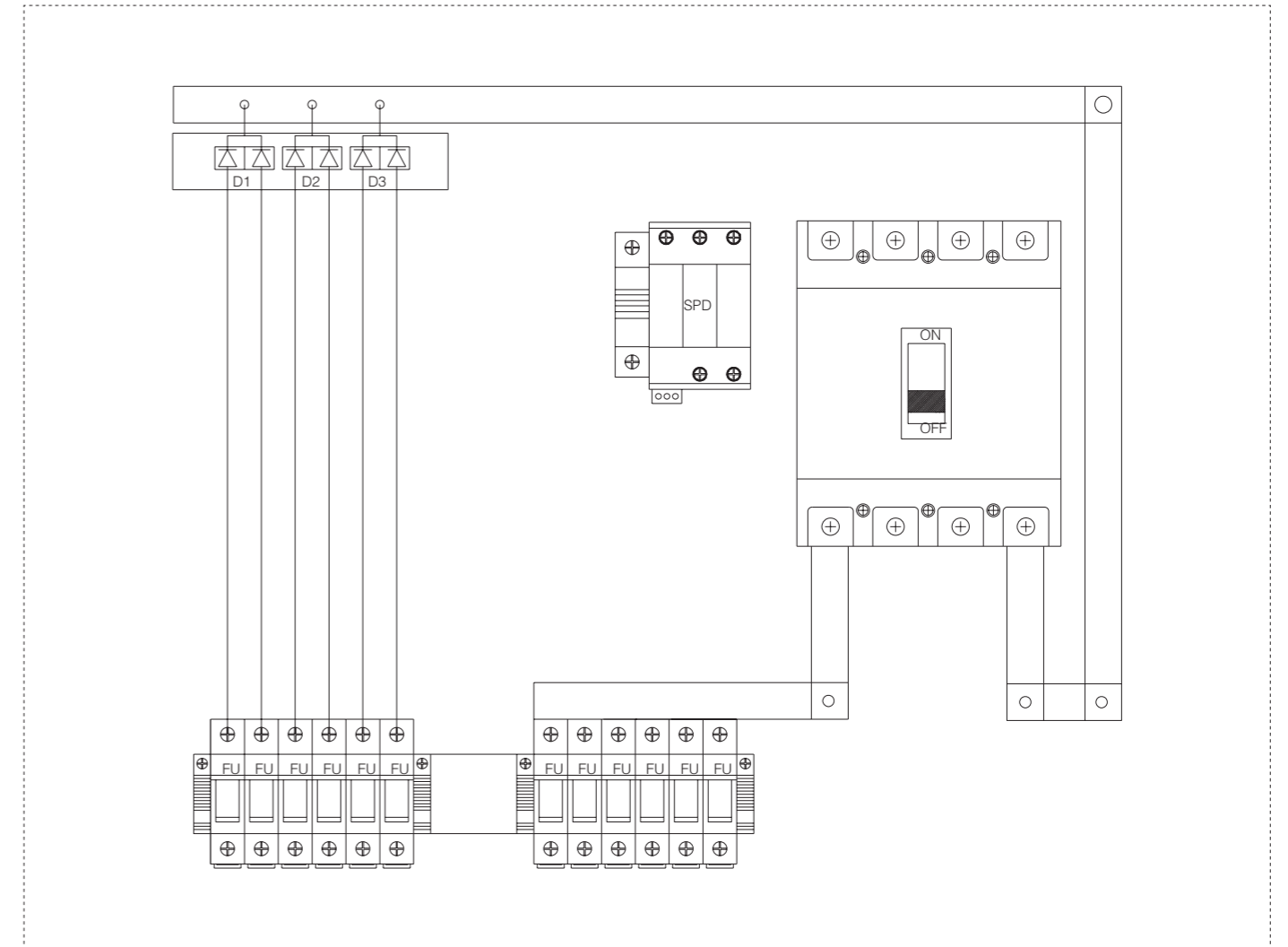
DESCRIPTION

LQX F6/1 DC PV combiner box bus synthetic DC input of 6 PV components to 1 output. Each channel is with a fuse. Output side is equipped with lightning protection and circuit breaker. It greatly simplify input wiring of DC power distribution cabinet and inverter. Realize lightning protection, short circuit protection and grounding protection. PV combiner box divided into two types: intelligent box and non-intelligent box. Intelligent PV combiner box is equipped with monitoring unit, then detect input current of each string, detect inside temperature, detect lightning protection status, detect circuit breaker status and summarize output voltage and so on.

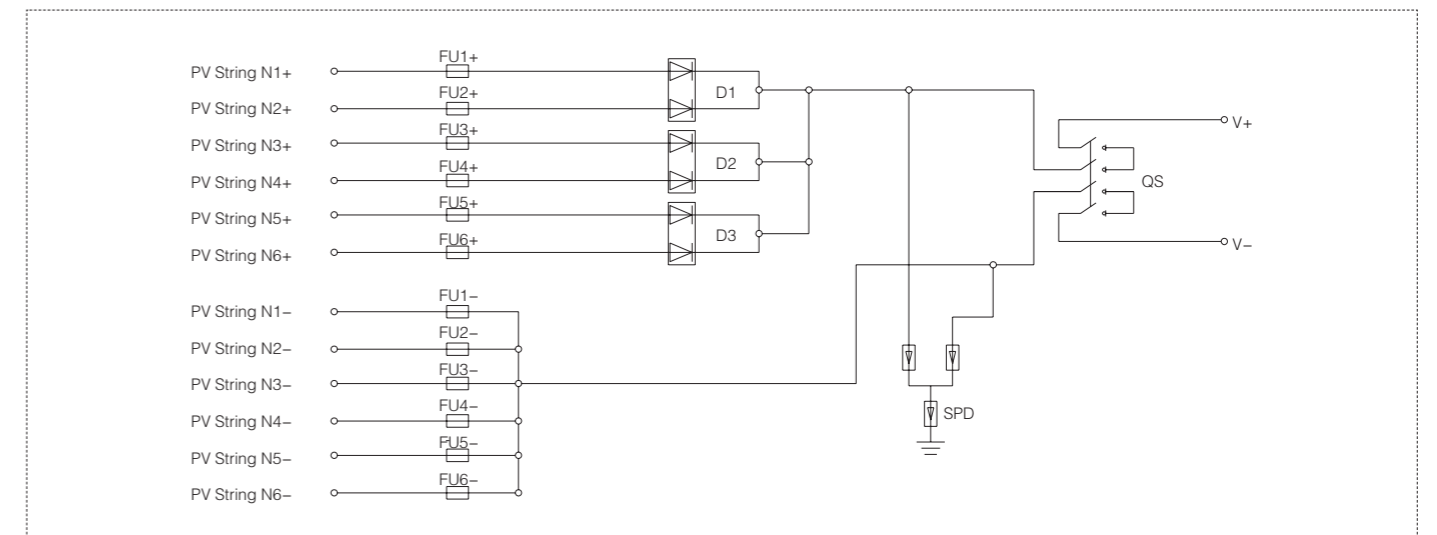
Design and configuration strictly accordance with the "Technical specification for photovoltaic junction equipment " CGC/GF 037:2014. Provide users with a safe, brief, beautiful and applicable photovoltaic system products.

The product adopts outdoor wall mounted type, which adapt to the harsh environment. In addition to the core components, the other can be customized by user requirements.

SCHEMATIC DIAGRAM



DIM ENSIONAL DRAWING(MM)



LQX F8/1 DC

- High reliability
 - With DC FUSE
 - With DC Surge Protection Device
 - With DC circuit breaker or DC load isolation switch.
- Strong adaptability
 - IP65 design, waterproof, anti dust and anti ultraviolet.
 - Strict test for high and low temperature, used widely.
 - The simple installation, the simplified system wiring, the convenient wiring . The box body is made of cold rolled steel and other metal materials.
- Flexible configuration
 - Used for single crystal silicon solar modules, polycrystalline silicon solar modules, thin film solar modules.
 - Current rating of the photovoltaic fuse, circuit breaker, load isolation switch is modified.



Solar combiner box



TECHNICAL PARAMETERS

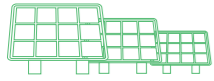
Name	LQX F8/1 DC	
Electric parameter		
System maximum dc voltage	1000	1500
Maximum input current for each string	15A	
Maximum input strings	8	
Maximum output switch current	125A	
Number of inverter MPPT	N	
Number of Output strings	1	
Lightning protection		
Category of test	II grade protection	
Nominal discharge current	20kA	
Maximum discharge current	40kA	
Voltage protection level	3.6kV	5.3kV
Maximum continuous operating voltage Uc	1050V	1500V
Poles	3P	
Structure characteristic	Plug-push module	
System		
Protection grade	IP66	
Output switch	DC isolation switch(standard)/DC circuit breaker(optional)	
SMC4 Waterproof Connectors	Standard	
PV dc fuse	Standard	
PV surge protector	Standard	
Monitoring module	Optional	
Preventing diode	Optional	
Box material	Metal	
Installation method	Wall mounting type	
Operating Temperature	-25°C ~+55°C	
Elevation of temperature	2km	
Permissible relative humidity	0-95%,no condensation	

DESCRIPTION

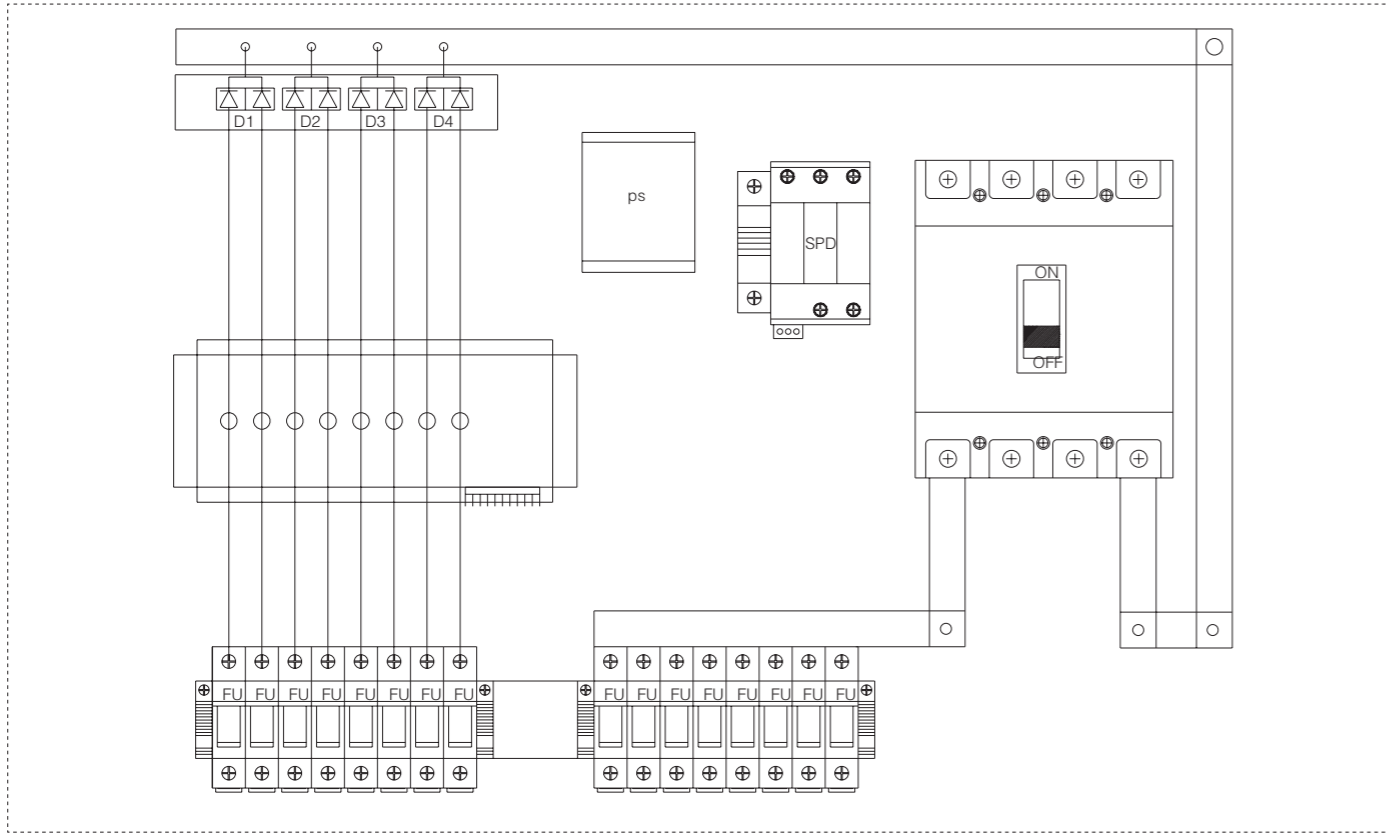
LQX F8/1 DC PV combiner box bus synthetic DC input of 8 PV components to 1 output. Each channel is with a fuse. Output side is equipped with lightning protection and circuit breaker. It greatly simplify input wiring of DC power distribution cabinet and inverter. Realize lightning protection, short circuit protection and grounding protection. PV combiner box divided into two types: intelligent box and non-intelligent box. Intelligent PV combiner box is equipped with monitoring unit, then detect input current of each string, detect inside temperature, detect lightning protection status, detect circuit breaker status and summarize output voltage and so on.

Design and configuration strictly accordance with the "Technical specification for photovoltaic junction equipment " CGC/GF 037:2014. Provide users with a safe, brief, beautiful and applicable photovoltaic system products.

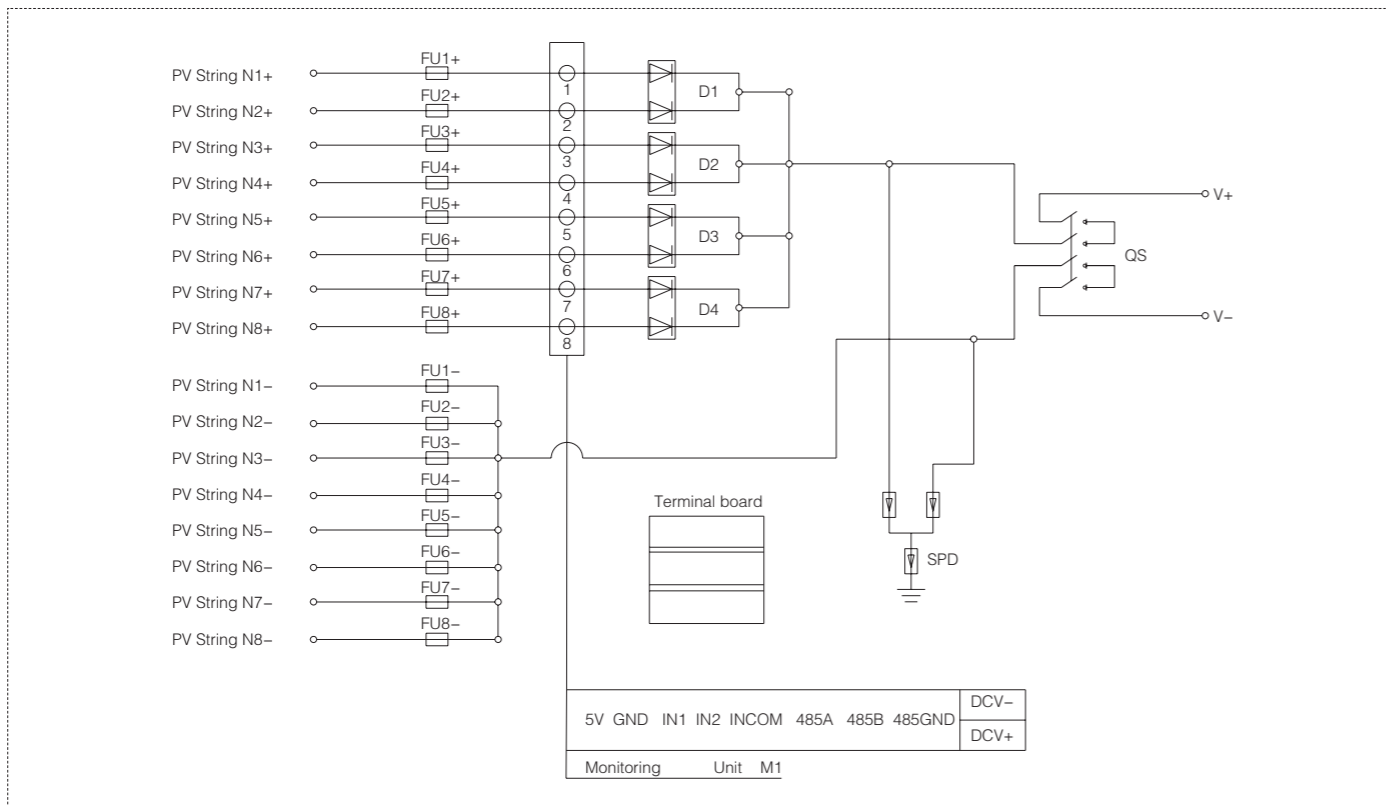
The product adopts outdoor wall mounted type, which adapt to the harsh environment. In addition to the core components, the other can be customized by user requirements.



SCHEMATIC DIAGRAM



DIM ENSIONAL DRAWING(MM)

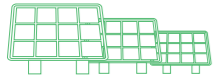


LQX F10/1 DC

- High reliability
 - With DC FUSE
 - With DC Surge Protection Device
 - With DC circuit breaker or DC load isolation switch.
- Strong adaptability
 - IP65 design, waterproof, anti dust and anti ultraviolet.
 - Strict test for high and low temperature, used widely.
 - The simple installation, the simplified system wiring, the convenient wiring . The box body is made of cold rolled steel and other metal materials.
- Flexible configuration
 - Used for single crystal silicon solar modules, polycrystalline silicon solar modules, thin film solar modules.
 - Current rating of the photovoltaic fuse, circuit breaker, load isolation switch is modified.



Solar combiner box



TECHNICAL PARAMETERS

Name	LQX F10/1 DC	
	Electric parameter	
System maximum dc voltage	1000	1500
Maximum input current for each string	15A	
Maximum input strings	10	
Maximum output switch current	160A	
Number of inverter MPPT	N	
Number of Output strings	1	
	Lightning protection	
Category of test	II grade protection	
Nominal discharge current	20kA	
Maximum discharge current	40kA	
Voltage protection level	3.6kV	5.3kV
Maximum continuous operating voltage U _c	1050V	1500V
Poles	3P	
Structure characteristic	Plug-push module	
	System	
Protection grade	IP66	
Output switch	DC isolation switch(standard)/DC circuit breaker(optional)	
SMC4 Waterproof Connectors	Standard	
PV dc fuse	Standard	
PV surge protector	Standard	
Monitoring module	Optional	
Preventing diode	Optional	
Box material	Metal	
Installation method	Wall mounting type	
Operating Temperature	-25°C ~+55°C	
Elevation of temperature	2km	
Permissible relative humidity	0-95%,no condensation	

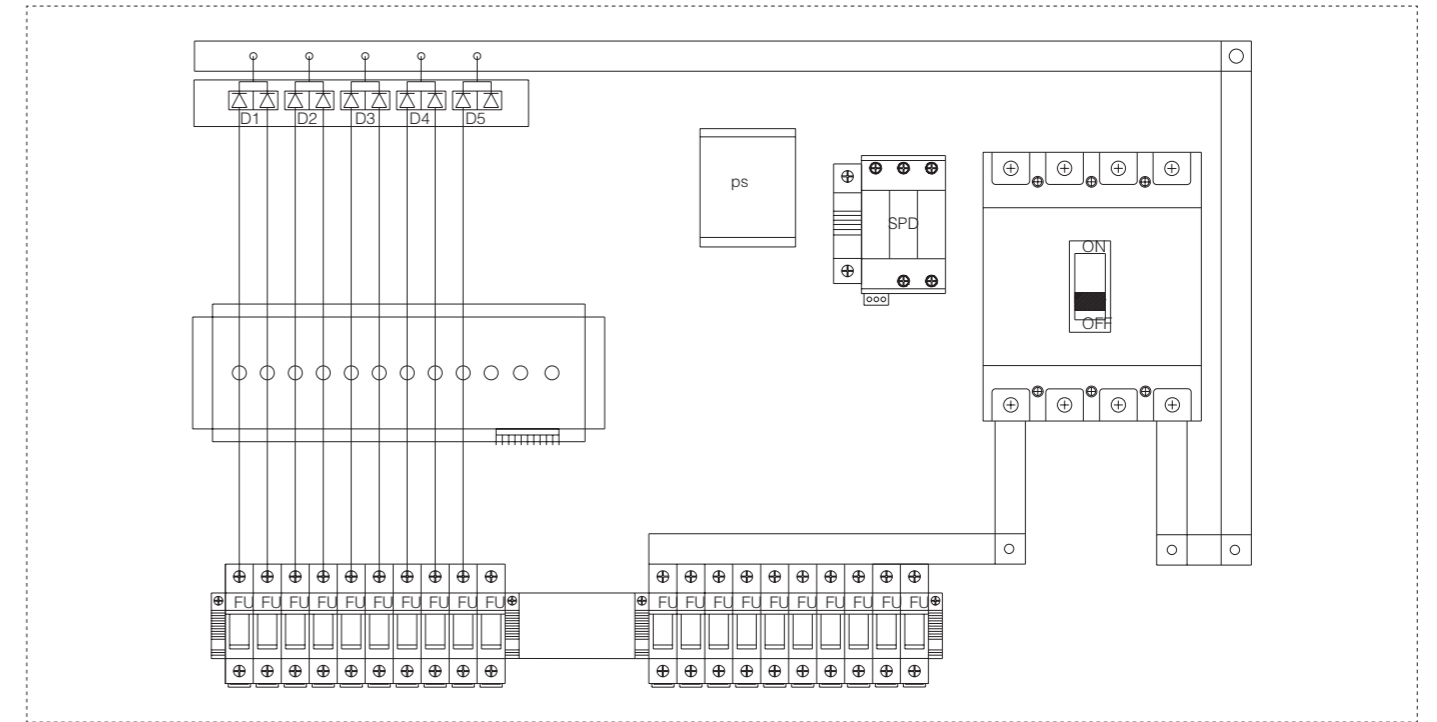
DESCRIPTION

LQX F10/1 DC PV combiner box bus synthetic DC input of 10 PV components to 1 output. Each channel is with a fuse. Output side is equipped with lightning protection and circuit breaker. It greatly simplify input wiring of DC power distribution cabinet and inverter. Realize lightning protection, short circuit protection and grounding protection. PV combiner box divided into two types: intelligent box and non-intelligent box. Intelligent PV combiner box is equipped with monitoring unit, then detect input current of each string, detect inside temperature, detect lightning protection status, detect circuit breaker status and summarize output voltage and so on.

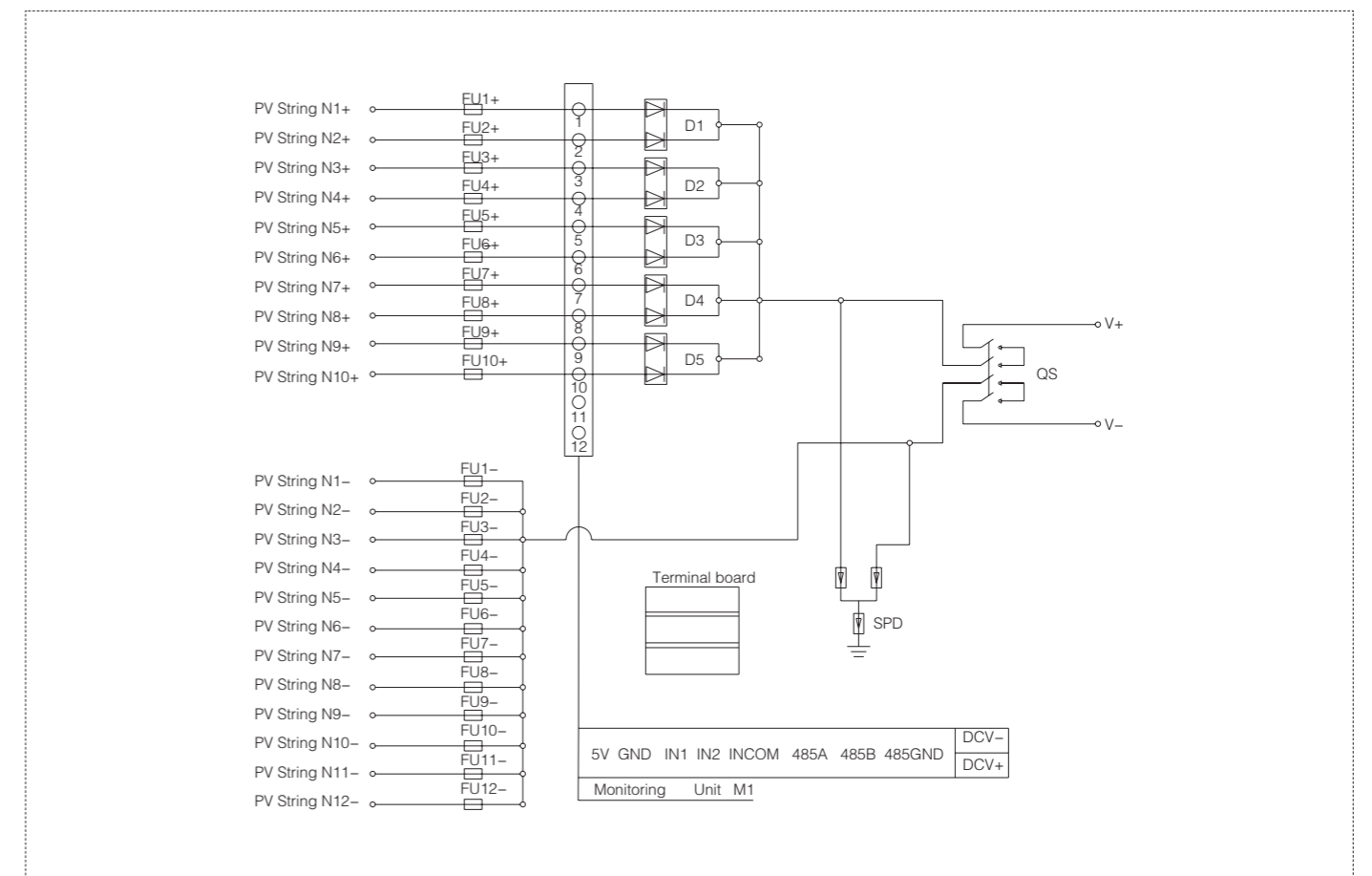
Design and configuration strictly accordance with the "Technical specification for photovoltaic junction equipment " CGC/GF 037:2014. Provide users with a safe, brief, beautiful and applicable photovoltaic system products.

The product adopts outdoor wall mounted type, which adapt to the harsh environment. In addition to the core components, the other can be customized by user requirements.

SCHEMATIC DIAGRAM



DIMENSIONAL DRAWING(MM)



LQX F12/1 DC

- High reliability
 - With DC FUSE
 - With DC Surge Protection Device
 - With DC circuit breaker or DC load isolation switch.
- Strong adaptability
 - IP65 design, waterproof, anti dust and anti ultraviolet.
 - Strict test for high and low temperature, used widely.
 - The simple installation, the simplified system wiring, the convenient wiring . The box body is made of cold rolled steel and other metal materials.
- Flexible configuration
 - Used for single crystal silicon solar modules, polycrystalline silicon solar modules, thin film solar modules.
 - Current rating of the photovoltaic fuse, circuit breaker, load isolation switch is modified.



Solar combiner box



TECHNICAL PARAMETERS

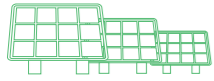
Name	LQX F12/1 DC	
Electric parameter		
System maximum dc voltage	1000	1500
Maximum input current for each string	15A	
Maximum input strings	12	
Maximum output switch current	200A	
Number of inverter MPPT	N	
Number of Output strings	1	
Lightning protection		
Category of test	II grade protection	
Nominal discharge current	20kA	
Maximum discharge current	40kA	
Voltage protection level	3.6kV	5.3kV
Maximum continuous operating voltage U _c	1050V	1500V
Poles	3P	
Structure characteristic	Plug-push module	
System		
Protection grade	IP66	
Output switch	DC isolation switch(standard)/DC circuit breaker(optional)	
SMC4 Waterproof Connectors	Standard	
PV dc fuse	Standard	
PV surge protector	Standard	
Monitoring module	Optional	
Preventing diode	Optional	
Box material	Metal	
Installation method	Wall mounting type	
Operating Temperature	-25°C ~+55°C	
Elevation of temperature	2km	
Permissible relative humidity	0-95%,no condensation	

DESCRIPTION

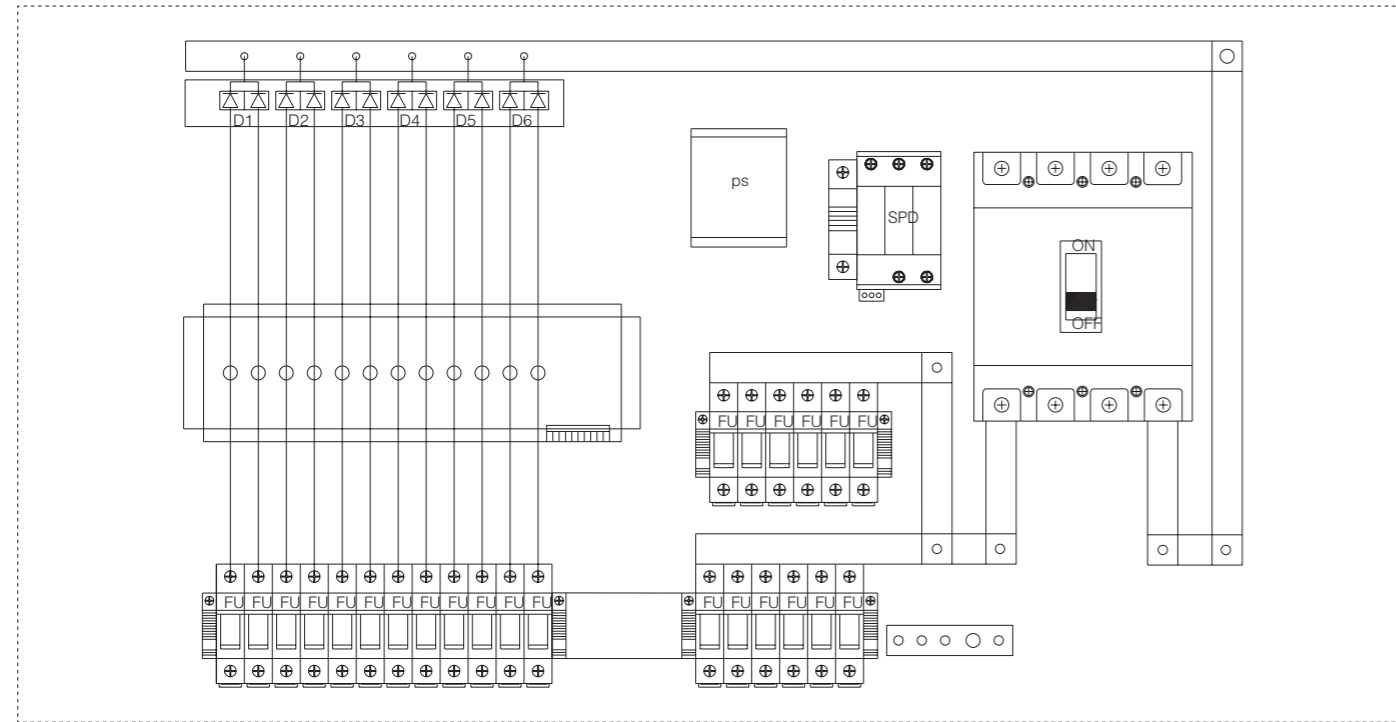
LQX F12/1 DC PV combiner box bus synthetic DC input of 12 PV components to 1 output. Each channel is with a fuse. Output side is equipped with lightning protection and circuit breaker. It greatly simplify input wiring of DC power distribution cabinet and inverter. Realize lightning protection, short circuit protection and grounding protection. PV combiner box divided into two types: intelligent box and non-intelligent box. Intelligent PV combiner box is equipped with monitoring unit, then detect input current of each string, detect inside temperature, detect lightning protection status, detect circuit breaker status and summarize output voltage and so on.

Design and configuration strictly accordance with the "Technical specification for photovoltaic junction equipment " CGC/GF 037:2014. Provide users with a safe, brief, beautiful and applicable photovoltaic system products.

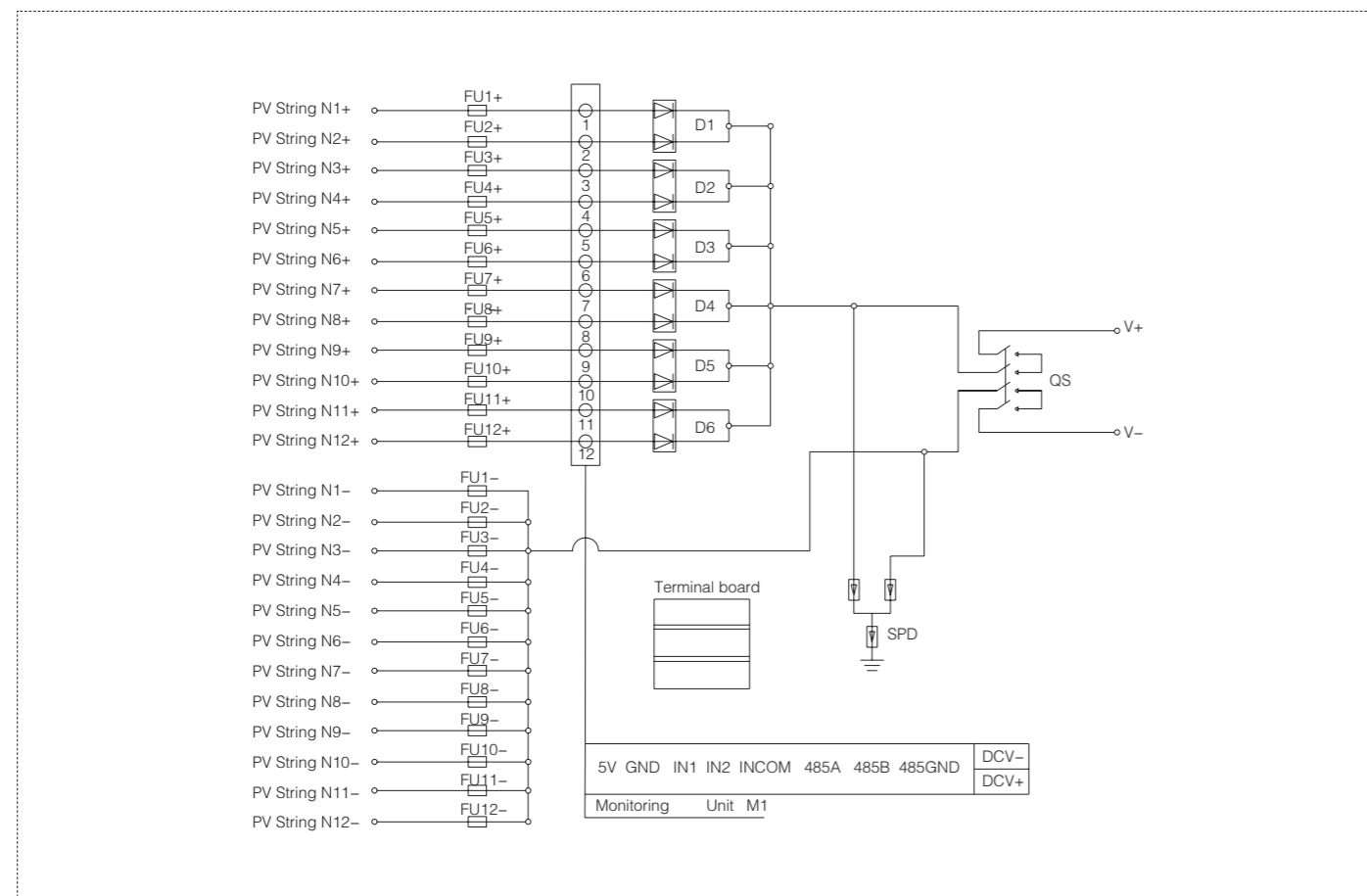
The product adopts outdoor wall mounted type, which adapt to the harsh environment. In addition to the core components, the other can be customized by user requirements.



SCHEMATIC DIAGRAM



DIMENSIONAL DRAWING(MM)

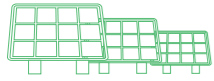


LQX F14/1 DC

- High reliability
 - With DC FUSE
 - With DC Surge Protection Device
 - With DC circuit breaker or DC load isolation switch.
- Strong adaptability
 - IP65 design, waterproof, anti dust and anti ultraviolet.
 - Strict test for high and low temperature, used widely.
 - The simple installation, the simplified system wiring, the convenient wiring . The box body is made of cold rolled steel and other metal materials.
- Flexible configuration
 - Used for single crystal silicon solar modules, polycrystalline silicon solar modules, thin film solar modules.
 - Current rating of the photovoltaic fuse, circuit breaker, load isolation switch is modified.



Solar combiner box



TECHNICAL PARAMETERS

Name	LQX F14/1 DC	
	Electric parameter	
System maximum dc voltage	1000	1500
Maximum input current for each string	15A	
Maximum input strings	14	
Maximum output switch current	225A	
Number of inverter MPPT	N	
Number of Output strings	1	
	Lightning protection	
Category of test	II grade protection	
Nominal discharge current	20kA	
Maximum discharge current	40kA	
Voltage protection level	3.6kV	5.3kV
Maximum continuous operating voltage U _c	1050V	1500V
Poles	3P	
Structure characteristic	Plug-push module	
	System	
Protection grade	IP66	
Output switch	DC isolation switch(standard)/DC circuit breaker(optional)	
SMC4 Waterproof Connectors	Standard	
PV dc fuse	Standard	
PV surge protector	Standard	
Monitoring module	Optional	
Preventing diode	Optional	
Box material	Metal	
Installation method	Wall mounting type	
Operating Temperature	-25°C ~+55°C	
Elevation of temperature	2km	
Permissible relative humidity	0-95%,no condensation	

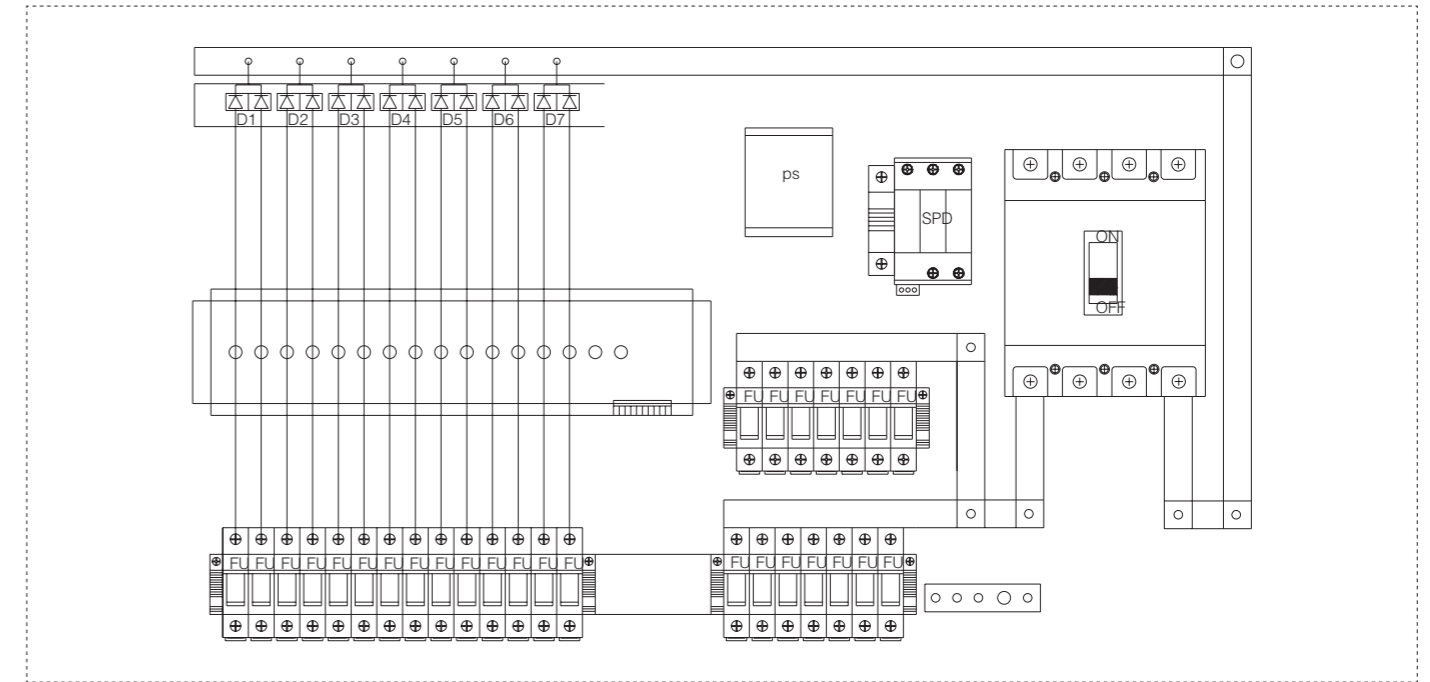
DESCRIPTION

LQX F14/1 DC PV combiner box bus synthetic DC input of 14 PV components to 1 output. Each channel is with a fuse. Output side is equipped with lightning protection and circuit breaker. It greatly simplify input wiring of DC power distribution cabinet and inverter. Realize lightning protection, short circuit protection and grounding protection. PV combiner box divided into two types: intelligent box and non-intelligent box. Intelligent PV combiner box is equipped with monitoring unit, then detect input current of each string, detect inside temperature, detect lightning protection status, detect circuit breaker status and summarize output voltage and so on.

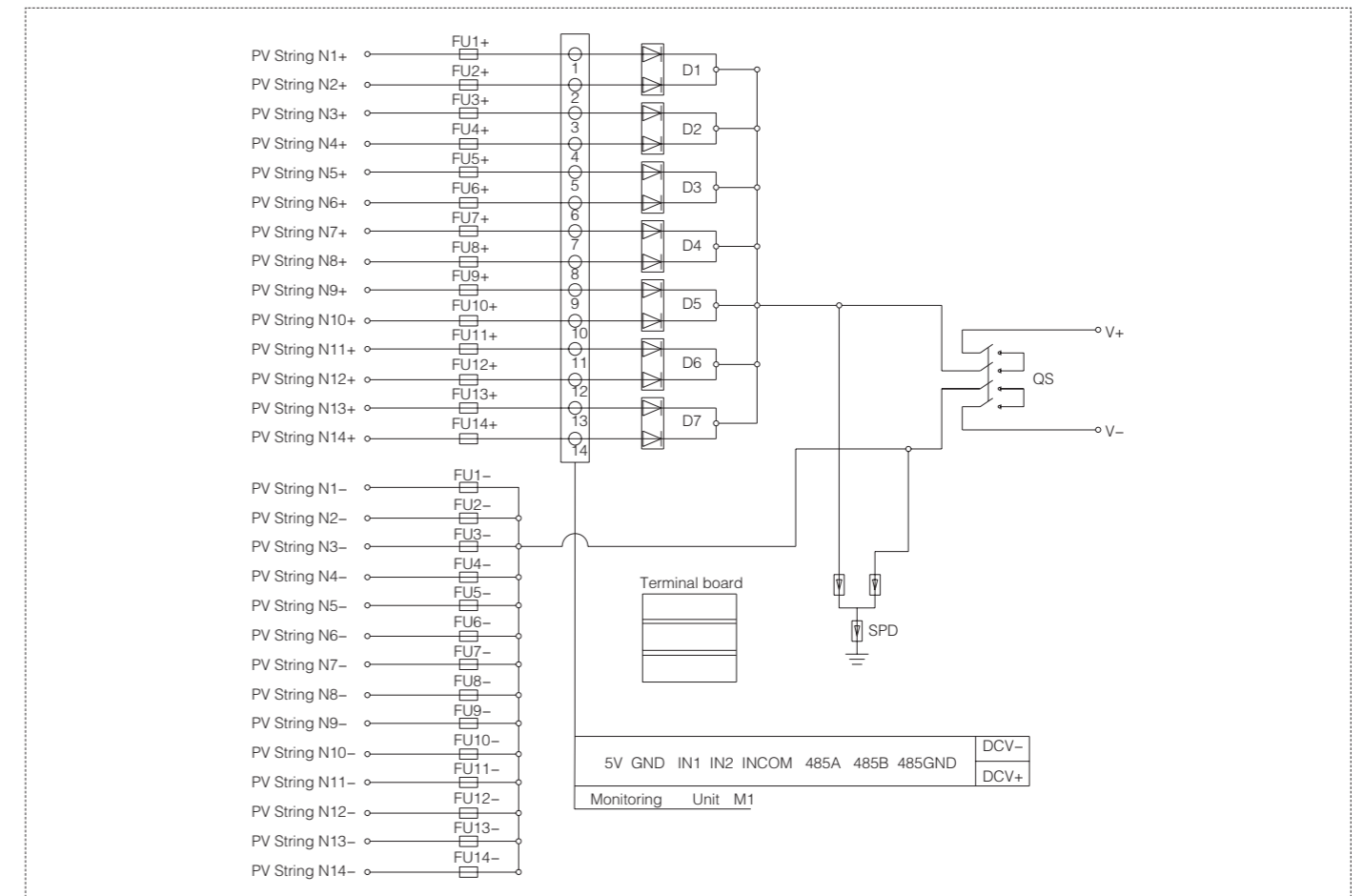
Design and configuration strictly accordance with the "Technical specification for photovoltaic junction equipment " CGC/GF 037:2014. Provide users with a safe, brief, beautiful and applicable photovoltaic system products.

The product adopts outdoor wall mounted type, which adapt to the harsh environment. In addition to the core components, the other can be customized by user requirements.

SCHEMATIC DIAGRAM



DIM ENSIONAL DRAWING(MM)



LQX F16/1 DC

- High reliability
 - With DC FUSE
 - With DC Surge Protection Device
 - With DC circuit breaker or DC load isolation switch.
- Strong adaptability
 - IP65 design, waterproof, anti dust and anti ultraviolet.
 - Strict test for high and low temperature, used widely.
 - The simple installation, the simplified system wiring, the convenient wiring . The box body is made of cold rolled steel and other metal materials.
- Flexible configuration
 - Used for single crystal silicon solar modules, polycrystalline silicon solar modules, thin film solar modules.
 - Current rating of the photovoltaic fuse, circuit breaker, load isolation switch is modified.



Solar combiner box



TECHNICAL PARAMETERS

Name	LQX F16/1 DC	
	Electric parameter	
System maximum dc voltage	1000	1500
Maximum input current for each string	15A	
Maximum input strings	16	
Maximum output switch current	250A	
Number of inverter MPPT	N	
Number of Output strings	1	
	Lightning protection	
Category of test	II grade protection	
Nominal discharge current	20kA	
Maximum discharge current	40kA	
Voltage protection level	3.6kV	5.3kV
Maximum continuous operating voltage U _c	1050V	1500V
Poles	3P	
Structure characteristic	Plug-push module	
	System	
Protection grade	IP66	
Output switch	DC isolation switch(standard)/DC circuit breaker(optional)	
SMC4 Waterproof Connectors	Standard	
PV dc fuse	Standard	
PV surge protector	Standard	
Monitoring module	Optional	
Preventing diode	Optional	
Box material	Metal	
Installation method	Wall mounting type	
Operating Temperature	-25°C ~+55°C	
Elevation of temperature	2km	
Permissible relative humidity	0-95%,no condensation	

DESCRIPTION

LQX F16/1 DC PV combiner box bus synthetic DC input of 16 PV components to 1 output. Each channel is with a fuse. Output side is equipped with lightning protection and circuit breaker. It greatly simplify input wiring of DC power distribution cabinet and inverter. Realize lightning protection, short circuit protection and grounding protection. PV combiner box divided into two types: intelligent box and non-intelligent box. Intelligent PV combiner box is equipped with monitoring unit, then detect input current of each string, detect inside temperature, detect lightning protection status, detect circuit breaker status and summarize output voltage and so on.

Design and configuration strictly accordance with the "Technical specification for photovoltaic junction equipment " CGC/GF 037:2014. Provide users with a safe, brief, beautiful and applicable photovoltaic system products.

The product adopts outdoor wall mounted type, which adapt to the harsh environment. In addition to the core components, the other can be customized by user requirements.